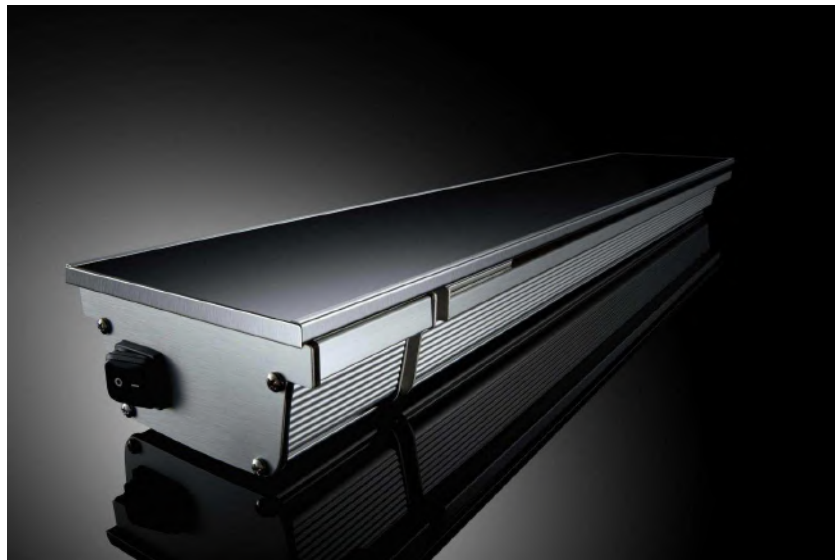


## RELAX GLASS IP65

**BRELG1200 BRELG1200R**  
**BRELG1500 BRELG1500RD**  
**BRELG1800 BRELG1800RD**  
**BRELG2200 BRELG2200RD**  
**BRELG3000 BRELG3000RD**

**R:** Mit Schalterbedienung/with power switch function/avec fonction de commutation/ con funzione di interruttore di alimentazione/ con función de interruptor de encendido

**RD:** Mit Fernbedienung/with remote control function/avec télécommande/con telecomando/con control remoto



**MONTAGE- UND GEBRAUCHSANWEISUNG**  
**INSTRUCTIONS FOR USE**  
**MODE D'EMPLOI**  
**ISTRUZIONE PER L'USO**  
**INSTRUCCIONES DE MONTAJE Y USO**

Irrtum und technische Änderungen vorbehalten • Subject to errors and technical changes • Sous réserve d'erreurs et de modifications techniques • Excepto erro ou alteracao tecnica • Salvo error o modificacion tecnica

Burda Worldwide Technologies GmbH– Rudolf-Diesel Straße 18 – D-65760 Eschborn  
T: +49 6173 324240 - F:+49 6173 3242424 - info@burdawtg.de – www.burdawtg.com

## IMPORTANT INFORMATION

Please carefully read the Operation Manual before using the infrared heater. This Operation Manual contains the important information on your safety, as well as some recommendations on proper use of the appliance and its maintenance.

### INTENDED USE:

The device is warming outdoors.

### WHAT'S IN THE BOX

- Heater fitted with flexible cord and plug.
- Operating and Installation Instructions.
- One small box contains 2 sets of Brackets.
- One remote controller , only for remote control model

### SAFETY INSTRUCTIONS

- During use of the infrared heater, it is necessary to observe some precautions. Improper operation with disregard of precautions may result in infliction of harm to health of the user and other people, as well as in infliction of damage to their property.
- Use only the voltage specified on the rating plate of the heater.
- ONLY connect the appliance to a properly installed socket-outlet with earth contact.
- The heater should be connected to the electric mains equipped with an automatic circuit breaker.
- The unit must be handled with care, and avoid vibration or hitting.
- WARNING: FIRE RISK EXISTS IF THE HEATER IS COVERED BY OR POSITIONED CLOSE TO CURTAINS OR OTHER COMBUSTIBLE MATERIALS. Do not place any clothing, towels or similar to dry over the heater! Overheating and risk of fire!
- Do not use the appliance areas where gasoline, paint or other flammable liquids are used or stored.
- Do not use the appliance in particularly in dusty or where explosives are stored.
- Do not use the appliance in a building site, green house, barn or in animal stables.
- Do not use the appliance as a sauna heater.
- Do not use this unit in the place of animal propagating and rising.
- **Warning:** Do not touch the radiating plate. Temperature during operation of the heater may reach 380°C. To avoid burns, do not touch the appliance surface by hand and other body parts. It is also necessary to avoid touching the heater whilst the appliance is switched on, as severe burns may result. The appliance can take up to 1 hour to cool down after switching it off.
- Do not place any items of clothing, hand towels or similar over the heater to dry. Risk of overheating and fire hazard.
- Do not leave the heater unattended whilst in use.
- Do not use this heater on a wet surface, or where it can fall or be pushed into water.
- Do not reach for an appliance that has fallen into water. Switch off at supply and unplug immediately.
- If the supply cord is damaged, it must be replaced by the manufacturer, its service agent or similarly qualified persons in order to avoid a hazard.
- If the heater is defective, it must be checked and repaired by the manufacturer, its service agent or similarly qualified persons for repair.
- Do not operate appliance with wet hands.
- Use this appliance only as described in this manual. Any other use is not recommended by the manufacturer and may cause fire, electric shock or injury.
- Do not use abrasive cleaning products on this appliance. If the body becomes dirty, wipe off dust with a cloth, and the radiating boards should be wiped in cold condition with a damp soft cloth. Always remove plug from the mains supply before cleaning.
- The heater must be installed at least 1.8 m above the floor.
- The heater must not be located immediately below a socket-outlet. The heater must not be located in front of a socket-outlet. They should be located outside the physical footprint of the units to minimize heat build-up behind the heater.
- The installation must be equipped with a standard electrical power point with a break contact distance of at least 3mm. The standard power point must be installed by a licensed

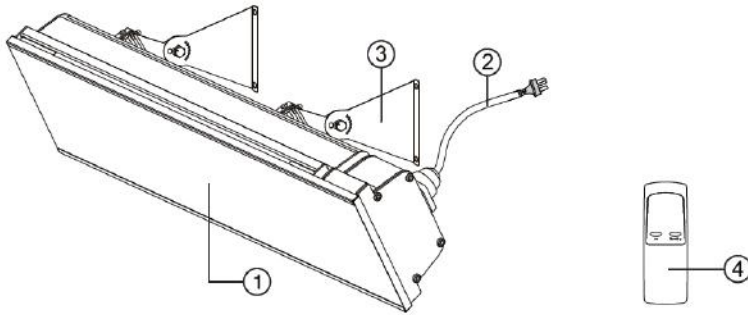
electrician.

- If the heater is to be mounted on an incline (eg. Sloping or angled ceiling), ensure the electrical connection is located at that lowest point of the heater.
- Do not connect the appliance to the mains source until it has been installed in its final location and adjusted to the position it will be used in.
- Do not operate with the cord coiled up as this could cause a buildup of heat, which could pose a hazard.
- The use of an extension cord with this appliance is not recommended.
- Do not allow cord to come in contact with heated surfaces during operation.
- Do not run cord under carpeting, throw rugs or runners etc. Arrange cord away from areas where it is likely to be tripped over.
- This appliance is not intended for use by persons (including children) with reduced physical, sensory or mental capabilities, or lack of experience and knowledge, unless they have been given supervision or instruction concerning use of the appliance by a person responsible for their safety.
- Children should be supervised to ensure that they do not play with the appliance.
- The appliance is only intended for the purpose described in user manual.
- Do not use appliance or any part of the appliance out of the intended use to avoid risk.
- The use of attachments which are not recommended or sold by the appliance manufacturer may cause a risk of injury to persons.
- Install and operate the heater in strictly horizontal position on the ceiling or ceiling structural surface. The thermal resistance of the ceiling coating and ceiling material should be at least 80 °C.
- **WARNING:** This heater is not equipped with a device to control the room temperature. This heater is to be used in open, alfresco environment or large areas with high ceilings. The heater must not be within reach from the floor, as severe burns may occur due to high surface temperatures. Do not use this heater in small rooms or where the room or area is occupied by persons not capable of leaving the room on their own, persons who are unable to operate the heater safely and with the guidelines of the use manual, unless constant supervision is provided.
- **WARNING:** The heater must not be used if the glass panels are damaged.
- **This appliance can be used by children aged from 8 years and above and persons with reduced physical, sensory or mental capabilities or lack of experience and knowledge if they have been given supervision or instruction concerning use of the appliance in a safe way and understand the hazards involved. Children shall not play with the appliance. Cleaning and user maintenance shall not be made by children without supervision.**
- Children of less than 3 years should be kept away unless continuously supervised.
- Children aged from 3 years and less than 8 years shall only switch on/off the appliance provided that it has been placed or installed in its intended normal operating position and they have been given supervision or instruction concerning use of the appliance in a safe way and understand the hazards involved. Children aged from 3 years and less than 8 years shall not plug in, regulate and clean the appliance or perform user maintenance.
- **CAUTION-** Some parts of this product can become very hot and cause burns. Particular attention has to be given where children and vulnerable people are present.

## HOW TO OPERATE THE HEATER

### General design layout

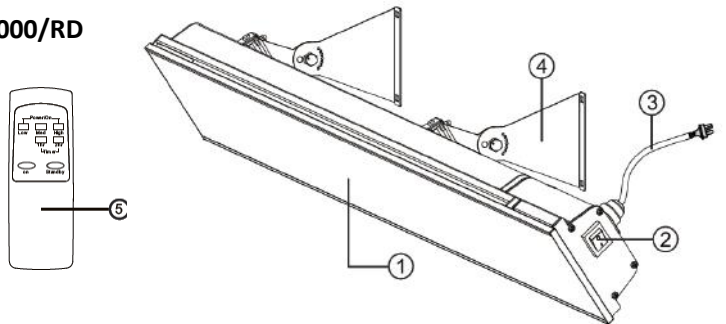
#### BRELG1200, BRELG1200R



1. Ceramic glass panel
2. Power cords and plug
3. Brackets for wall or ceiling mounting
4. Remote control (only for model CH12A10BR)

#### BRELG1500/RD, BRELG1800/RD, BRELG2200/RD, BRELG3000/RD

- ① Ceramic glass panel
- ② ON/OFF main power switch
- ③ power cords and plug
- ④ brackets for wall or ceiling mounting
- ⑤ Remote control (only for the model with R)



### Technical Specification

MODEL NAME	BRELG1200/R	BRELG1500/RD	BRELG1800/RD	BRELG2200/RD	BRELG3000/RD
Voltage	230-240V~ ,50Hz	230-240V~ ,50Hz	230-240V~ ,50Hz	230-240V~ ,50Hz	230-240V~ ,50Hz
Rated power (W)	1200	1500	1800	2200	3000W
Installation	Wall mounted Ceiling mounted	Wall mounted Ceiling mounted	Wall mounted Ceiling mounted	Wall-mounted	Wall mounted Ceiling mounted
Min. Mounting height (M)	1.8	1.8	1.8	2.1	2.1
Electric protection class	I	I	I	I	I
Water splash proof rate	IP65	IP65	IP65	IP65	IP65
The length of cable(mm)	1800	1800	1800	1800	1800
Unit size- L*W*H(mm) (without bracket)	585 x 170 x 80	900 x 170 x 80	900 x 170 x 80	900 x 170 x 80	1286 x 170 x 80

### OPERATION

#### WARNING!

Slight crackles may be heard during the heating or cooling period. This is normal operational noise.

**NOTE:**

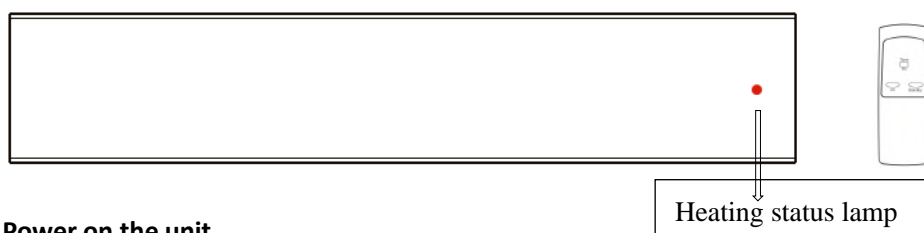
- ✓ After switching on the appliance for the first time and following extended periods on non-use, the appliance may expel a slight odor for a short time. It will not affect the use of the heater.
- ✓ To exclude unpleasant burnt odor, it is recommended to keep the heater clean preventing accumulation of dust on it.
- ✓ The distance between the heater and the remote control should be less than **3 metre** and the remote control must be directly point to the receiver on the front panel during the operation.

**BRELG1200**

**Warning: In case of direct connection to the supply line, a bipolar switch or a bipolar circuit breaker with contact opening distance of at least 3mm must be fitted upstream from the supply line. Contact an authorized service technician if you are unsure if you have a switch or a circuit breaker installed on the premises.**

- Plug in the device in the socket of main power, the heater starts heating.
- Unplug the device from the socket or press the switch or the circuit break to power off the device.

**BRELG1200R**



**Power on the unit**

1. Plug in the device, the device will sound 1 beep, the device is in standby mode, the heating status lamp is flashing (Picture 1).



(picture 1)

2. Press the button "ON" on the remote control, the device starts to heat, and the heating status lamp will turn in red (picture 2)



(picture 2)

3. Press the button "standby" on the remote control, the device will sound 1 beep and revert to Standby Mode, the Stand-by lamp is flashing (picture 1).

4. Power off the unit, unplug the device from the socket or press the switch or the circuit break to power off the device.

**Set the Timer function**

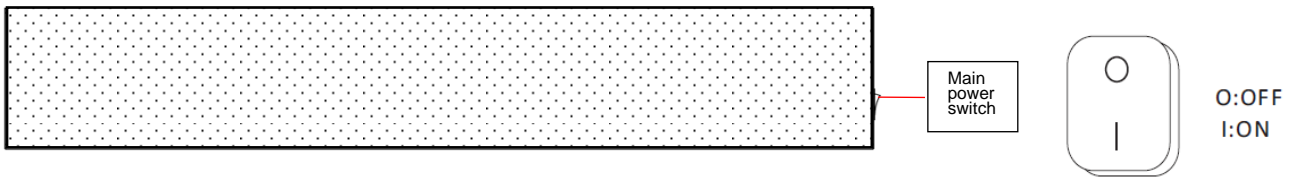
Press the Timer control buttons "1hr", to activate 1-hour delay-off timer function. The heating status lamp will turn to green (picture 3), the device will be switch off after 1 hour, and revert to standby mode (Picture 2).



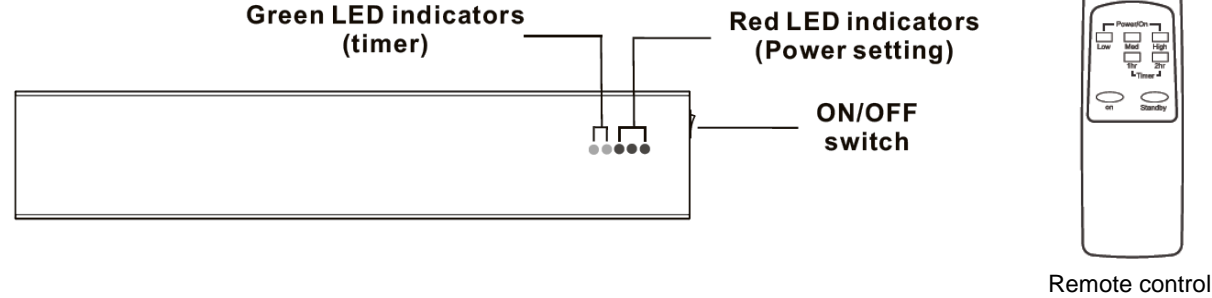
(picture 3)

**BRELG1500, BRELG1800, BRELG2200, BRELG3000**

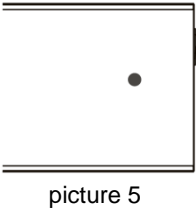
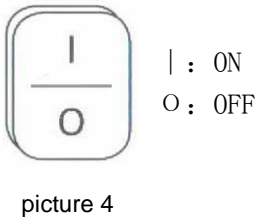
Connect the unit to the main power, press the switch to the position of I : ON, the red operation indicator will light to indicate the heater is on and the heater will begin to radiate infrared heat.



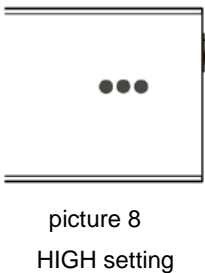
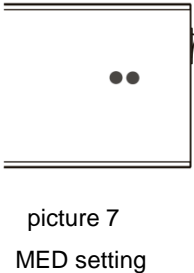
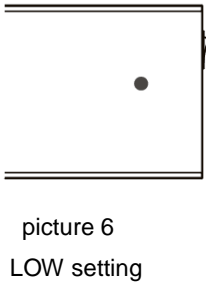
**Operation instruction :**



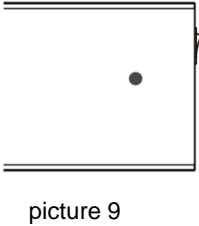
1, Plug in the device, and then press the switch to the position of I (refer to the picture 4). The device will sound 1 beep, the heater will begin in Standby mode. At this time, the lowest power setting LED will be flashing to indicate the unit is in Standby (picture 5).



2、 Point the remote control directly to the LED's, press 'LOW', 'MED', 'HIGH' to set your desired power setting. (Picture 6, 7, 8)



3, To set the heater to standby mode point the remote control directly at the receiver and press 'STANDBY'. At this time the lowest heat temperature setting LED will be flashing to indicate the unit is in STANDBY mode.



#### 4. Timer function:

Press the button of hour zone of remote control (Picture 10), the delay-off timer (1 hour, 2 hours or 3 hours) can be activated.

4.1 Point the remote control directly to the receiver and press the button of “1”, a single green LED will illuminate directly beside the power LED’s, this will trigger the heater to automatically go into STANDBY mode after 1 hour (60 minutes) of operation. Once in STANDBY mode a single red LED will be flashing.

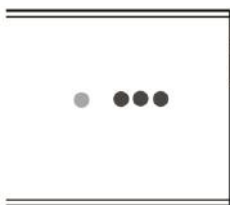


picture 10



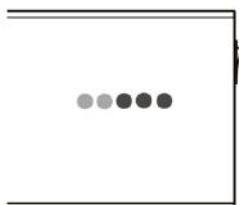
picture 11: 1 hour timer

4.2 Point the remote control directly to the receiver and press the button of “2”, a single green LED light will illuminate with a gap between the heat and timer LED’s on the unit, this will trigger the heater to automatically go into STANDBY mode after 2 hours (120 minutes) of operation. Once in STANDBY mode a single red LED will be flashing.



picture 12 : 2 hours timer

4.3 Point the remote control directly to the receiver and press the button of “1” and “2”, both green LED lights will illuminate, this will trigger the heater to automatically go into STANDBY mode after 3 hours (180 minutes) of operation. Once in STANDBY mode a single red LED will be flashing.



picture 13 : 3 hours timer

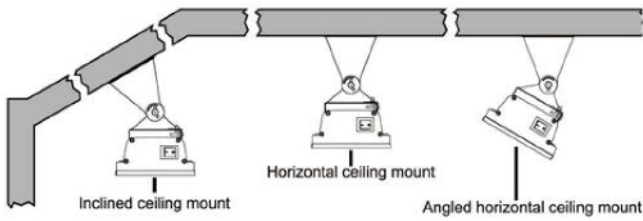
#### INSTALLATION

**Before installation, read the manual carefully.**

The heater must be installed in accordance with the manufacturer’s installation instructions

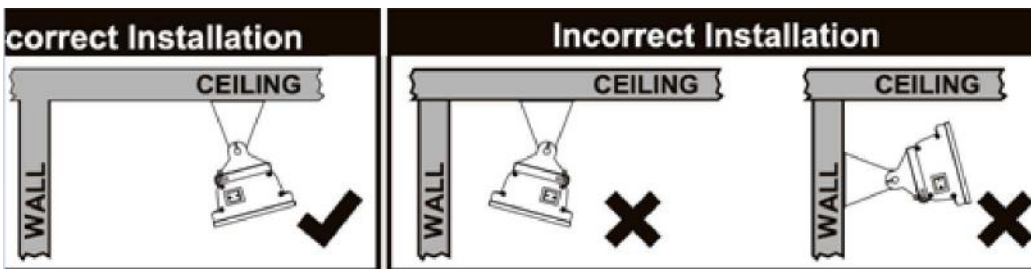
This heater comes with a pair of stainless steel adjustable angle mounting brackets. The adjustable angle enables the heater to be installed on vertical, horizontal and inclined surfaces.

**Ceiling mounted (BRELG1200/R, BRELG1500/RD, BRELG1800/RD, BRELG3000/RD)**



The ideal mounting position is directly above the area to be heated with a longitudinal orientation and facing vertically downwards.

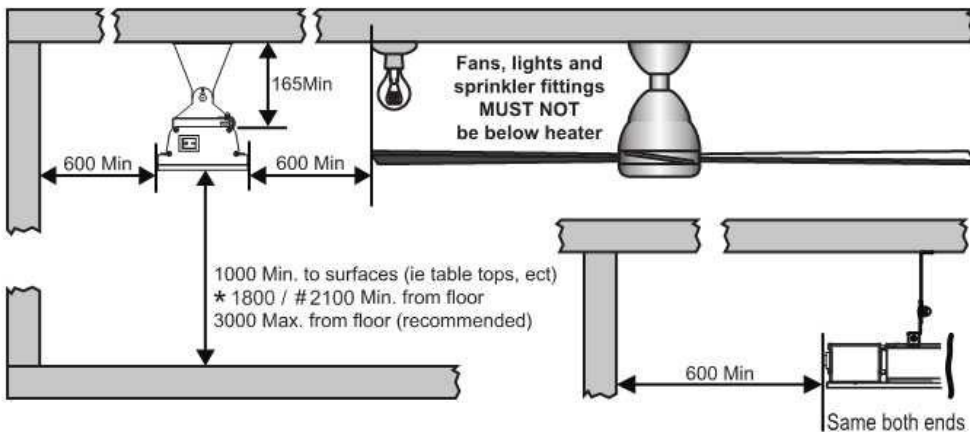
**Warning:** The heater must never be installed in the upwards or inwards facing position, the heating surface must always be positioned to direct the heat in a downwards or outwards direction.



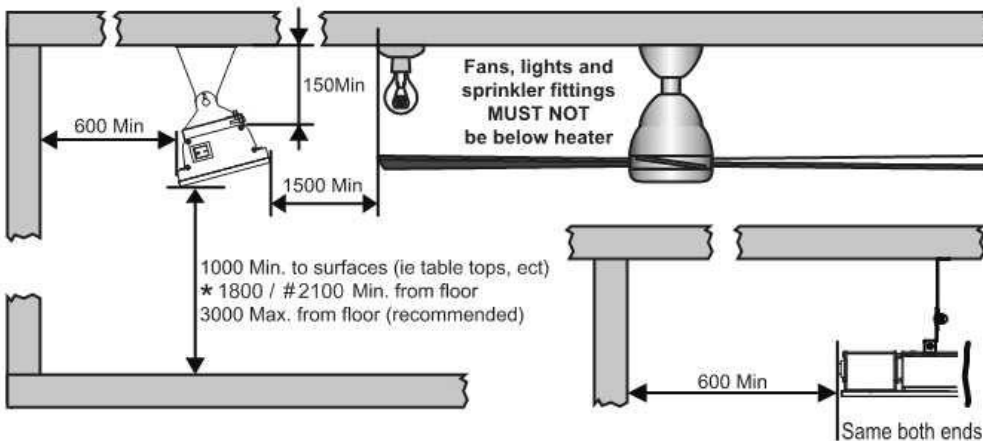
**Clearances**

\* for 1200W / 1500W / 1800W, # for 3000W

Minimum clearances when mounting the heater parallel with a ceiling.

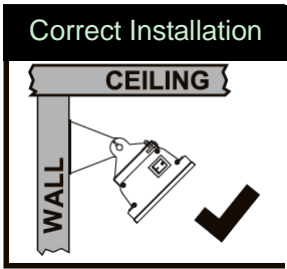


Minimum clearances when mounting the heater at an angle to the ceiling.



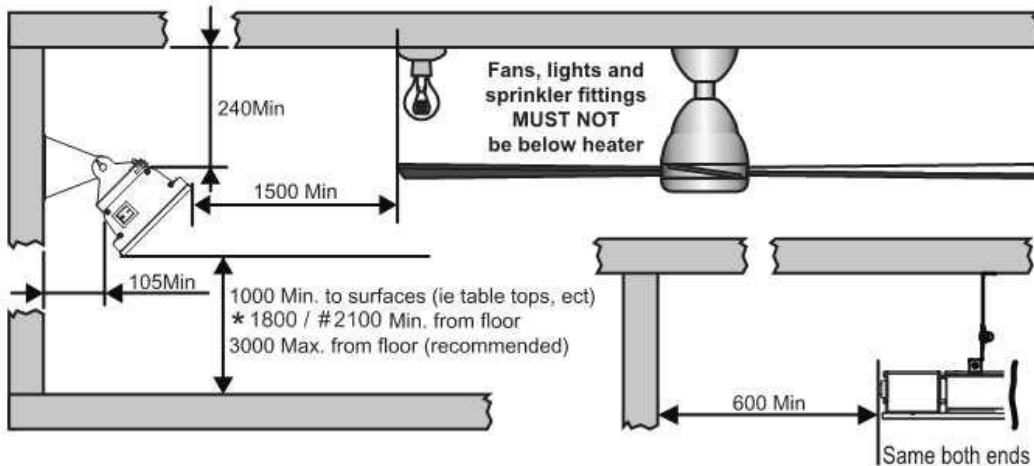


**Wall-mounted installation (BRELG1200/R, BRELG1500/RD, BRELG1800/RD, BRELG2200/RD, BRELG3000/RD)**



**\* for 1200W / 1500W / 1800W, # for 2200W / 3000W**

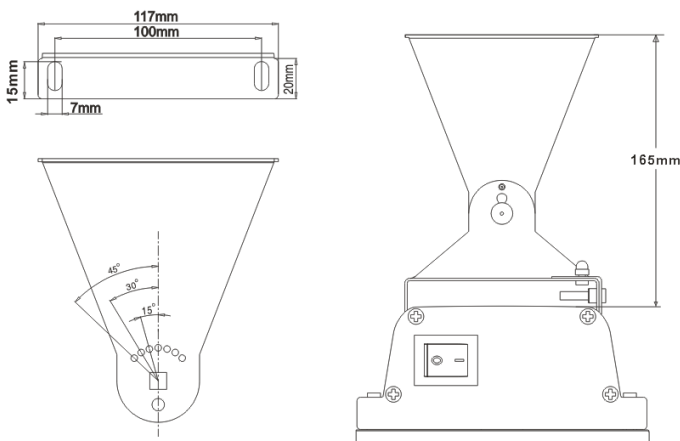
Minimum clearances when mounting the heater on A VERTICAL WALL.



**Installation Process**

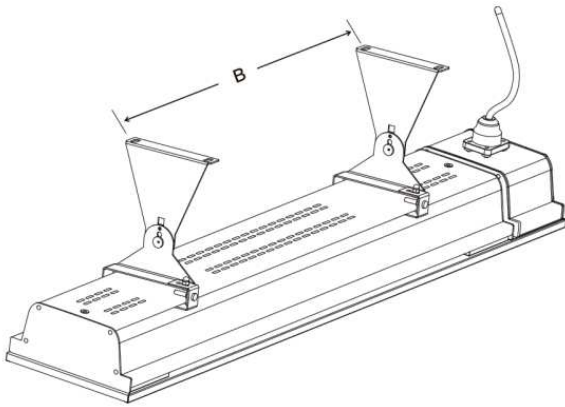
**WARNING! Mounting of the infrared heater and its connection to the electric mains should be carried out only by qualified specialists according to the Electrical Installation Regulations and Power System Safety Standards.**

1. Open the factory package and carefully take the heater out.
2. Take out the packing paper sheet from the end of heater
3. Take out one pair of mounting Brackets. These adjustable brackets allow direct ceiling or wall mount, and come with preset angle options of parallel, 15°, 30°, 45° and height 165mm.



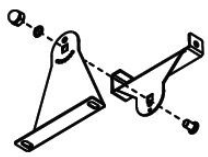
4. The correct installation process, as per the diagram above, select the heater location on the ceiling by locating the stud or structural beams to ensure secure fastening of the heater, whilst observing the minimum clearances from the floor and other objections.

5. Install two brackets on the ceiling or wall with the following minimum recommended bracket distance "B".



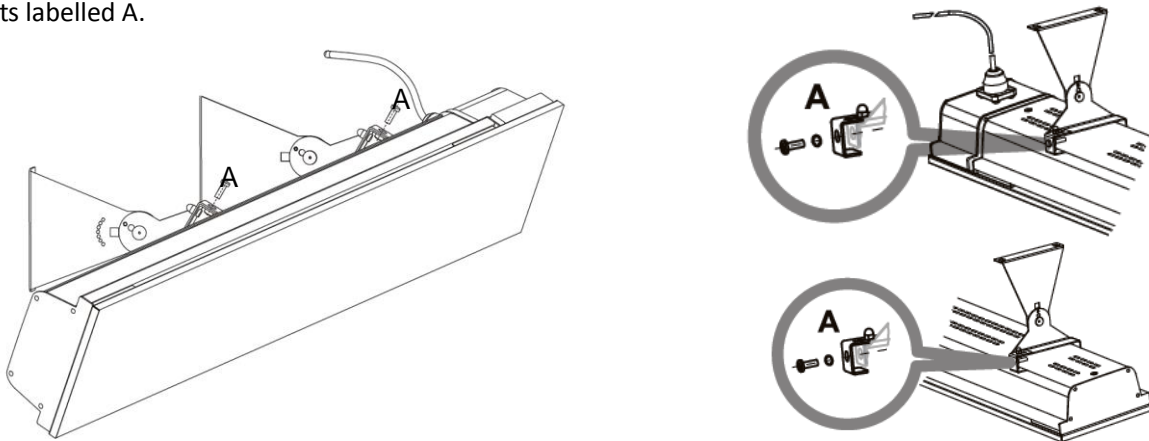
Model No	"B" MINIMUM DISTANCE (mm)
1200W	300 ±20
1500W	500 ±50
1800W	500 ±50
2200W	500 ±50
3000W	650±50

6. Set the adjustable angle mounting brackets to desired angle and fasten brackets by spanner  
 For ceiling mounted installation, the available mount angles are restricted to 0°, 15° and 30° only.  
 For wall mounted installation, the available mount angles are restricted to 15°, 30° and 45° only.



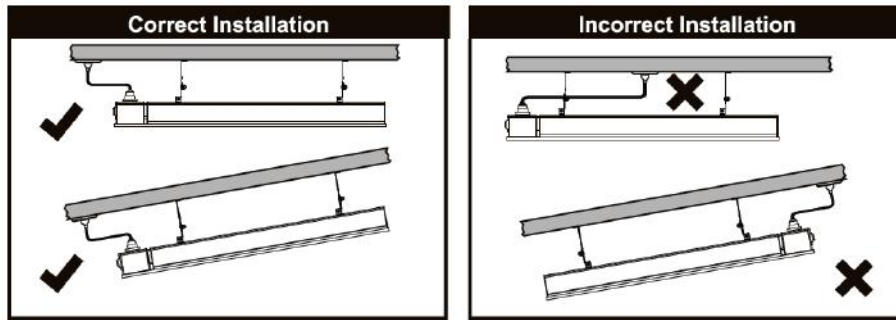
	0°	15°	30°	45°
Ceiling				
Wall				

7. Hang the heater on the brackets and firmly secure in place with the mounting bracket locking plates by tightening bolts labelled A.



**NOTE:**

- ✓ Depending on material and design of ceiling structural elements, the heater must be secured with the correct fasteners. The weight of the heater is up to 5.3Kg, the installation location must be able to hold 5 times the weight of the heater. In the cavity above the radiator, a sufficient exchange of air for heat dissipation must be ensured.



### Connection to electric mains

- The heater is designed for connection to the single-phase 230-240V~ 50Hz electric mains equipped with a earth.
- Before connection, make sure that specifications of the electric mains at the connection point meet the single-phase 230-240V~ 50Hz voltage.
- The electric mains should be equipped with an automatic circuit breaker with rated current not less than 16A.
- The heater must not be located immediately below a power point. Power point should not be located at the back of the heater. The power point needs to be located outside the physical footprint of the heater to minimize heat build-up behind the heater.
- If the heater is to be mounted on an incline (eg. Vaulted ceiling), ensure the power point located at that lowest point of the heater.

### MAINTENANCE

- Any maintenance should only be carried out by a qualified electrician.
- During operation, it is necessary to periodically (once a year) check the electric cable contacts and terminal connectors for good tightening.
- If the body becomes dirty, wipe off dust with a towel, and the radiating boards should be wiped in cold condition with a damp soft rag.

**WARNING! Never immerse the appliance in water! Danger to life!**

## TROUBLESHOOTING

Possible malfunctions are given in Table below.

SYMPTOM	CAUSE
Will not heat / No operation indicator	Check that power is connected and switched on
Heater smells when first used.	This is caused by oil or dust left over from the manufacturing process and will stop after a short time
Faint smell for short periods after turning on the heater	This is normal and should stop after a short time
Heater smells when turned on after periods of no use	Build-up of debris and dust on the heater, Switch the heater off and allow it to cool down and then clean
Clinking noises when heater is turned on and after being turned off	This is expansion and contraction noises of the heaters metal components and is normal
Poor heating performance	Exposure to extreme ambient conditions such as high winds / excessively cold temperatures can lower the heating performance of an outdoor installation Unit is not installed in correct position, possibly too high or heater is too small for recommended area.
There is a burning smell and or strange sounds (other than normal expansion and contraction noises) coming from the unit	Turn off the heater, and contact seller.
When associated circuit breaker (safety, ground) is thrown or a fuse is blown	Turn off the heater, and contact your authorized electrical installer
Poor heating performance	Incorrectly sized installation, contact your authorized electrical installer
	Faulty heater element, turn off the heater, and contact seller

### Packaging

Packaging materials are chosen with consideration to environment and are therefore recyclable.

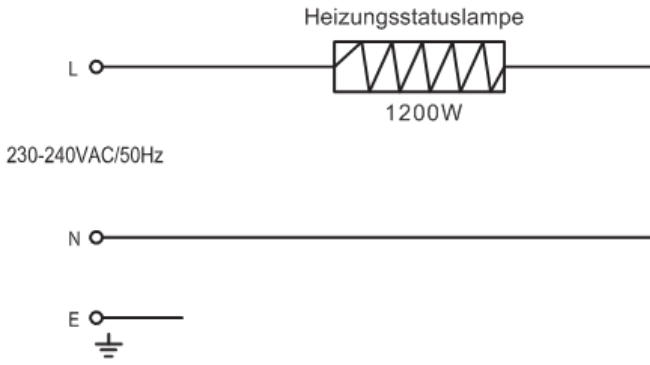
### Handling of product at end of working life



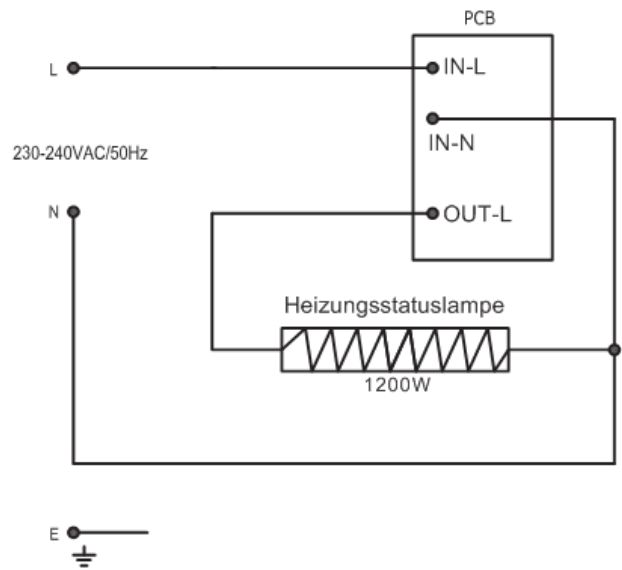
The symbol left implies this product may contain substances necessary for functionality of product but potentially dangerous for the environment. The product should not be disposed mixed with general household waste but delivered to a designated collection point for environmental recycling. Please contact [redacted] local authority for further details of your nearest designated collection point.

**WIRING SCHEMATIC DIAGRAMS**

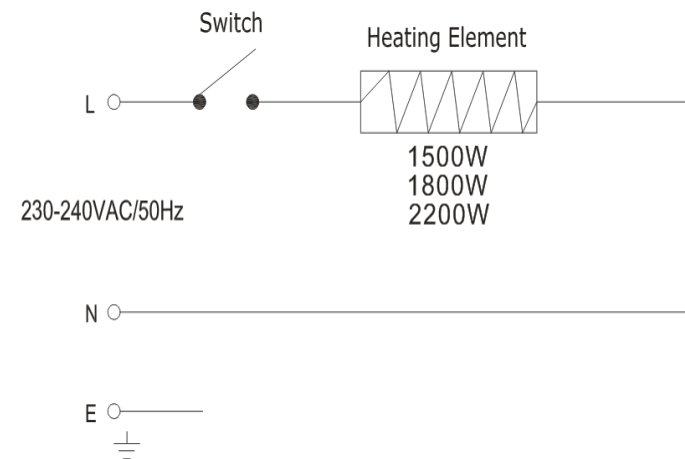
**BRELG1200**



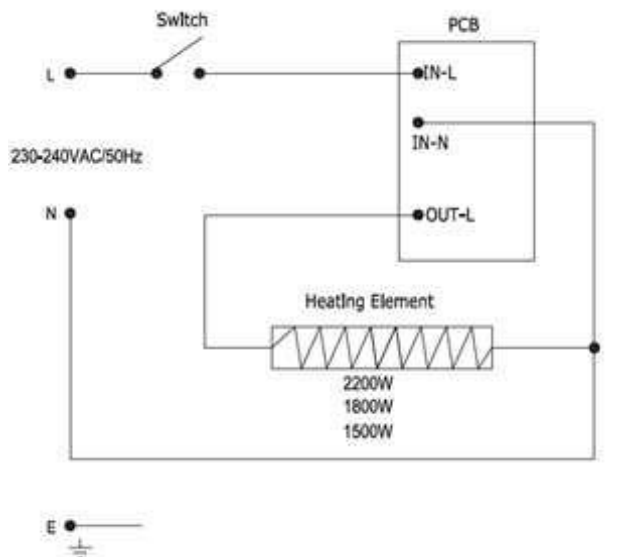
**BRELG1200R**



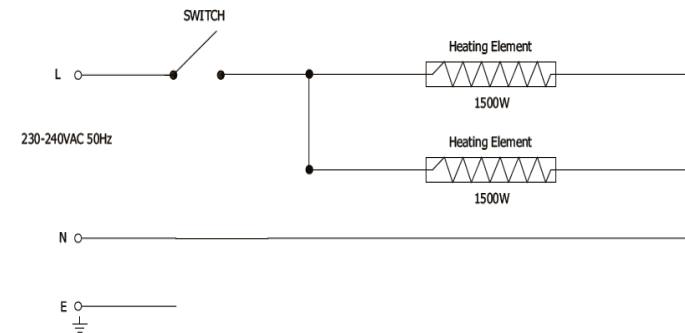
**BRELG1500, BRELG1800, BRELG2200**



**BRELG1500RD, BRELG1800RD, BRELG2200RD**



**BRELG3000**



**BRELG3000RD**

